

# ATMEL PROJECT BOARD

# ATMEL PROJECT BOARD

---

## Table of Contents

OVERVIEW.....	3
FEATURES.....	3
CIRCUIT DIAGRAM .....	4
CODES .....	4

# ATMEL PROJECT BOARD

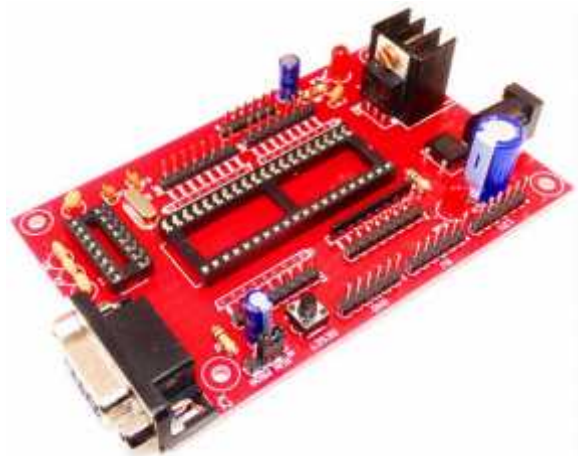
---

## OVERVIEW

If you are learning microcontrollers or want to quickly develop embedded solution based on standard 8051 core, this board will help you quick start with the application by giving you access to everything required to run the AT89S52 microcontroller. With this board you can develop and prototype with any of 8051 40 pin microcontrollers. The RS232 driver on board allows easy connection with PC or other embedded hardware . The board have User buttons and status LEDs. The bridge rectifier allow this board to be powered with both AC and DC power supply adapters

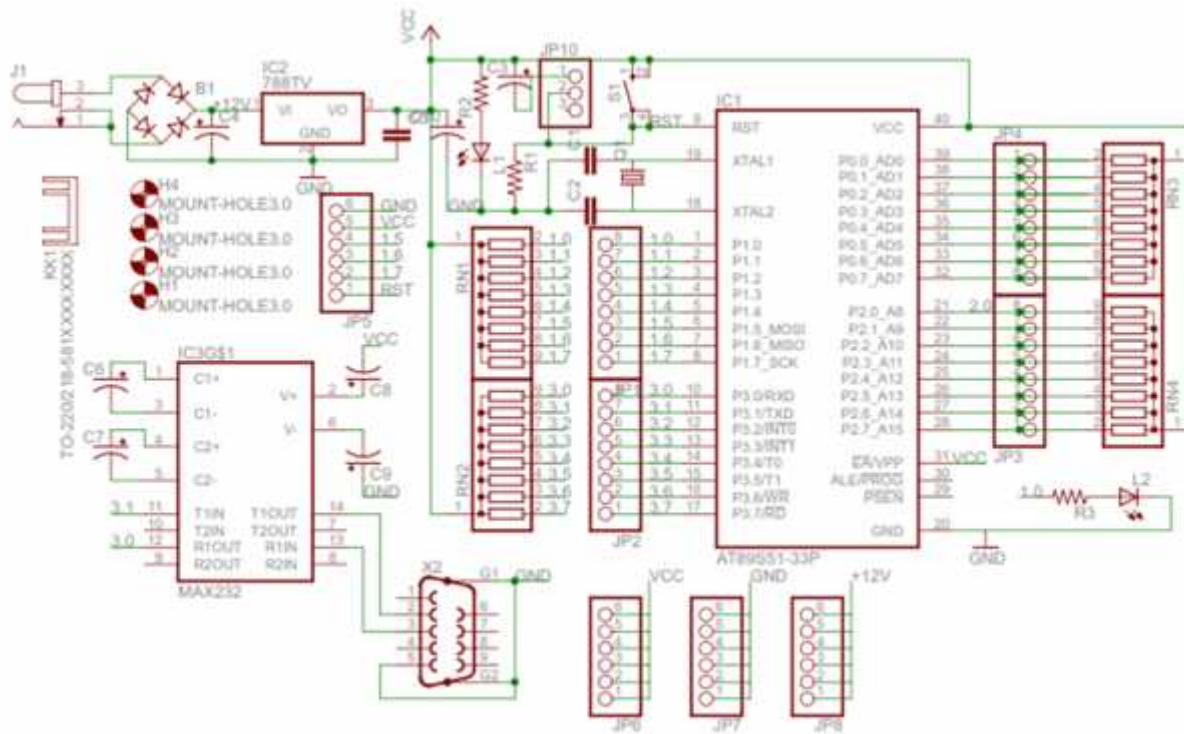
## FEATURES

- RS232 Tx, Rx interface.
- Quartz crystal 11.0592Mhz.
- Reset button.
- Power plug-in jack.
- GND bus.
- Vcc bus.
- MAX232 for RS232 serial port communication.
- Onboard LM7805 power regulator.
- Power Indicating LED.
- On board Regulated Power Supply 5v,12v .
- High quality PCB FR4 Grade with FPT Certified.



# ATMEL PROJECT BOARD

## CIRCUIT DIAGRAM



## CODES

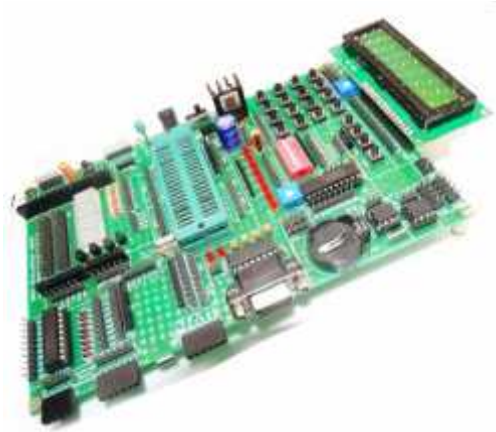
1. LED BLINK  
[Code](#)
2. LCD  
[Code](#)
3. Keypad  
[Code](#)
4. UART  
[Code](#)

# ATMEL PROJECT BOARD

---

## RELATED PRODUCTS

8051/AT89S52 Development Board



8051 programmer with USB



ISP Atmel Programmer



Atmel Project Board

