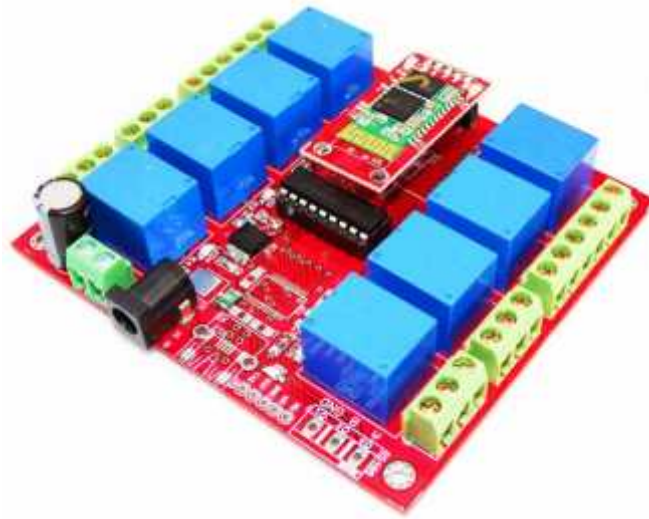


# 8 CHANNEL RELAY



# BLUETOOTH

# 8 Channel Relay Bluetooth

---

## Table of Contents

OVERVIEW.....	3
FEATURES.....	3
APPLICATION DIAGRAM.....	4
Circuit diagram.....	5
INTERFACE.....	5
RELAY SWITCHBOARD SOFTWARE.....	6
Android APP link .....	6
RELATED PRODUCTS .....	7

# 8 Channel Relay Bluetooth

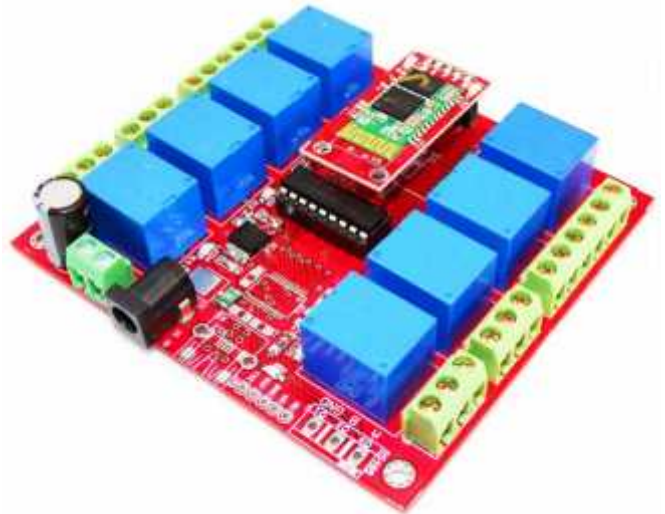
---

## OVERVIEW

This is Eight Channel relay board controlled by Bluetooth Module. The Bluetooth relay board is with 8 SPDT relays rated up to 7A each. You can control devices 230V / 120V (up to 8) directly with one such relay unit. Suitable for home automation applications, hobby projects, industrial automation. Bluetooth module enables you to wireless transmit & receive serial data.

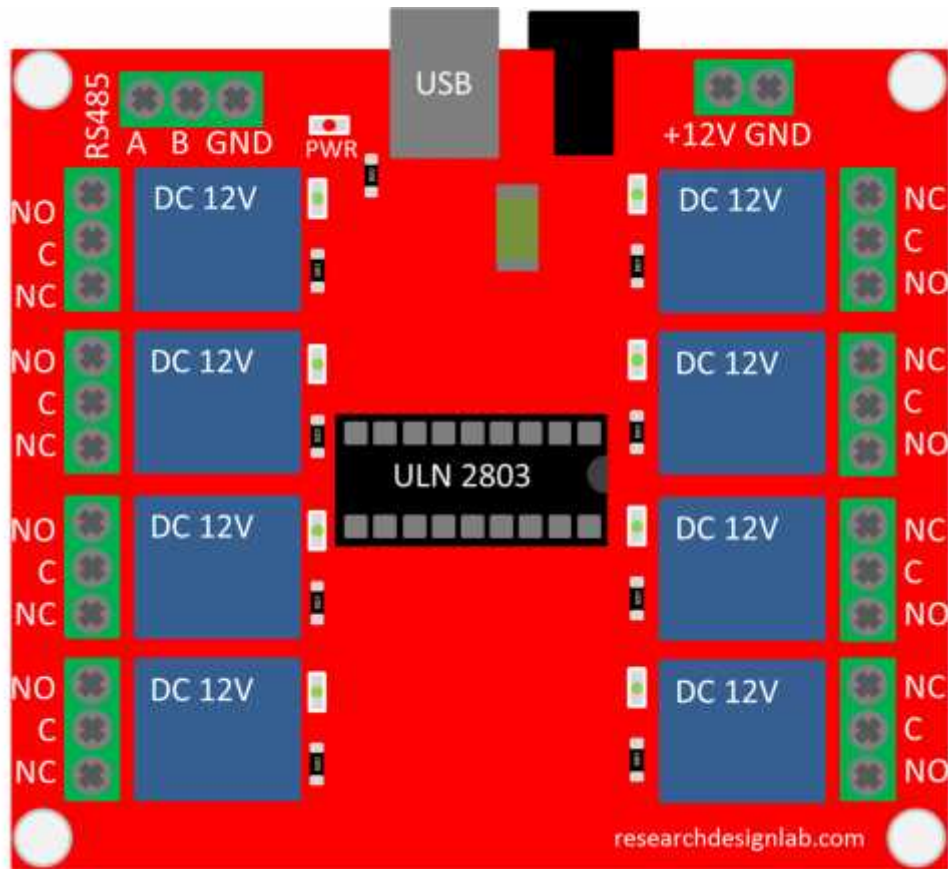
## FEATURES

- 8 SPDT Relay channels (7A 250V,12A 120V,10A 125VAC, 10A 28VDC).
- Power supply:12VDC 1AMP
- Current consumption: 400 mA.
- LED indication for relay & power supply.
- Design based on highly proven IC ULN2803 as driver.
- TTL output.
- Status LEDs.
- Android apk file will be given.
- High quality PCB FR4 Grade with FPT Certified.



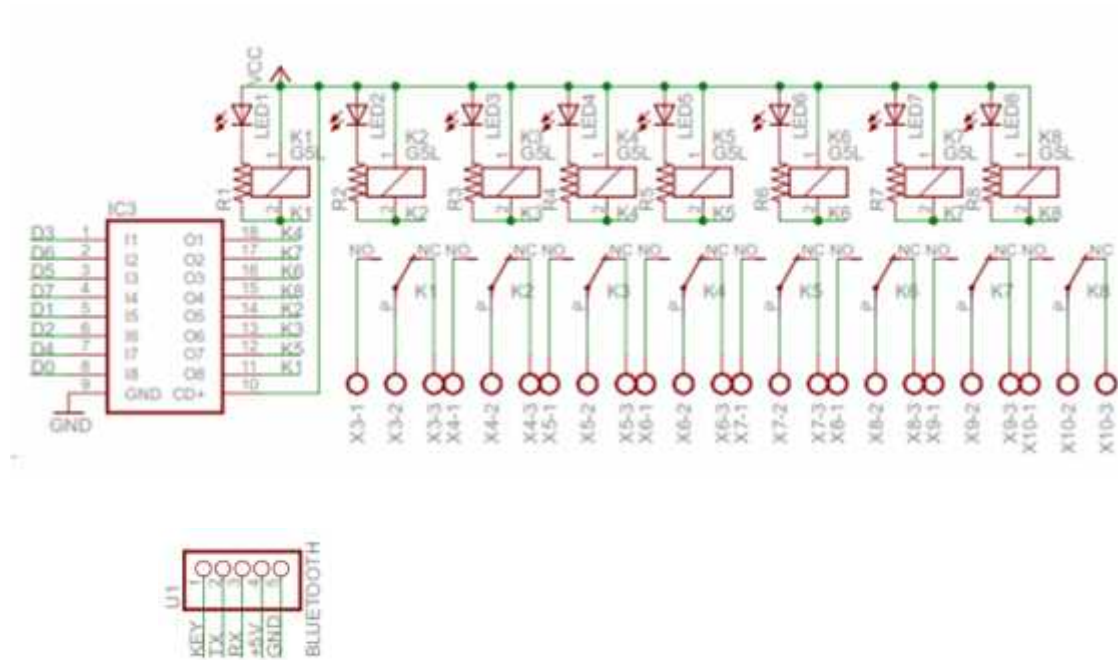
# 8 Channel Relay Bluetooth

## APPLICATION DIAGRAM

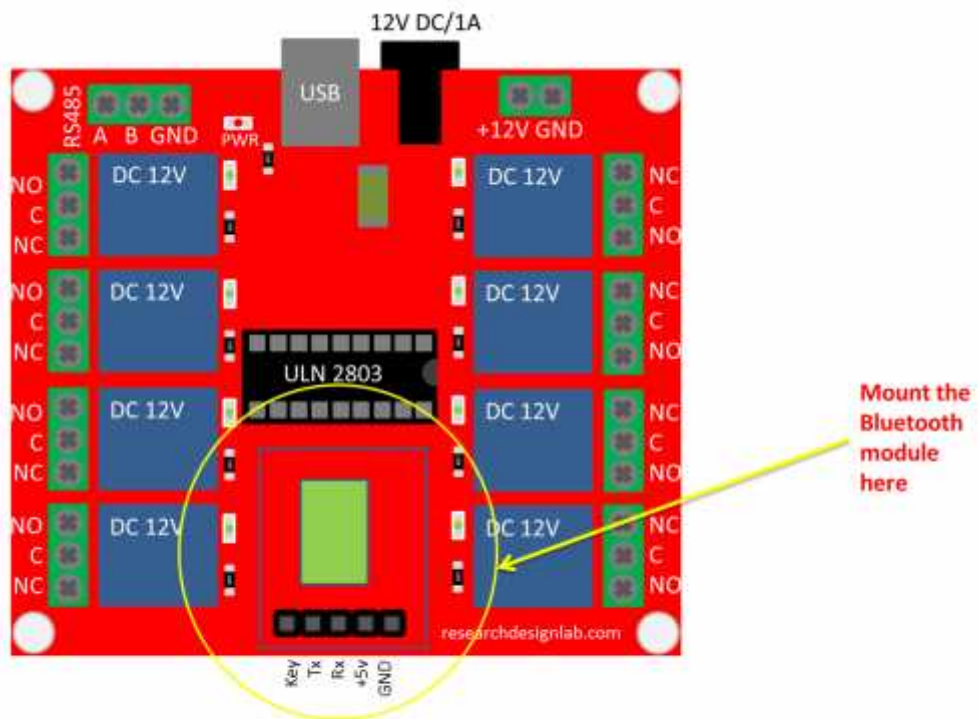


# 8 Channel Relay Bluetooth

## Circuit diagram



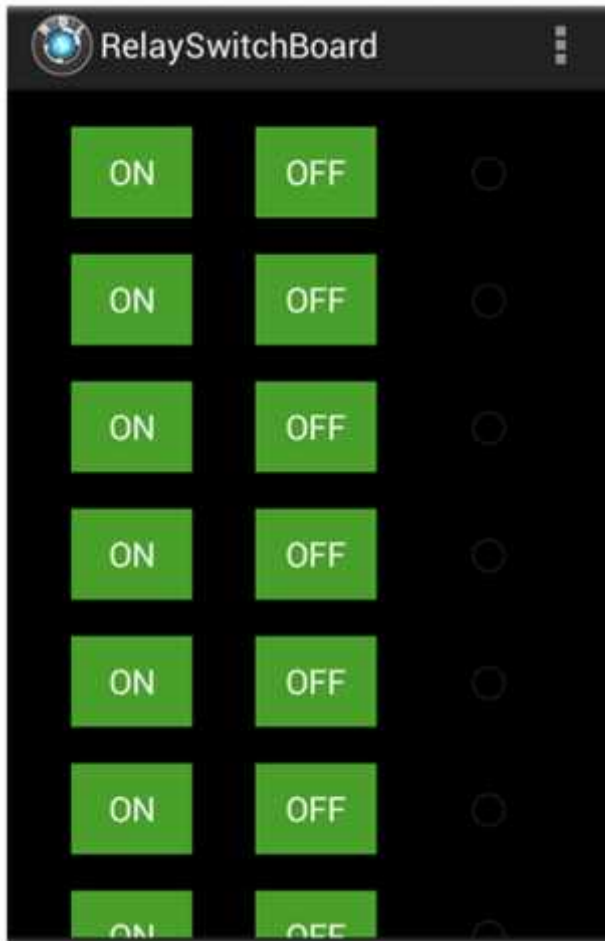
## INTERFACE



# 8 Channel Relay Bluetooth

---

## RELAY SWITCHBOARD SOFTWARE



### Android APP link

<https://play.google.com/store/apps/details?id=rdl.relayswitchboard>

# 8 Channel Relay Bluetooth

---

## RELATED PRODUCTS

**RDL UNO ATMEGA- 328**

**DEVELOPMENT BOARD**



**12V-2A DC ADAPTER**



**FT232 BREAKOUT BOARD**

