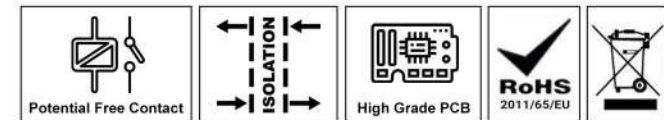


DIN RAIL RELAY BOARD





This Din relay board with 2 / 4 / 8 / 16 SPDT relays comes with isolated digital IO controlled from any PLC, Arduino & Raspberry Pi. Suitable for home automation applications, hobby projects, and industrial automation.

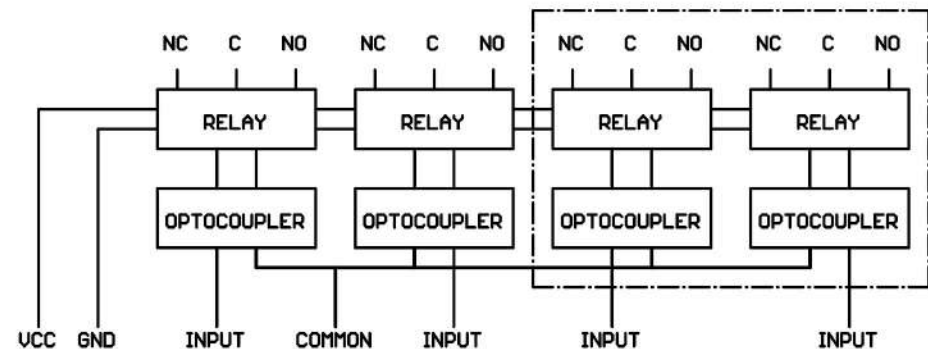
FEATURES

- Completely opto isolated relay module.
- LED indication for relay status & power supply.
- SPDT Relay (7A 250V, 12A 120V, 10A 125VAC, 10A 28VDC).
- Relay Module Power supply selection available in 5V / 12V / 24V.
- Greater Power handling PCB 70 Micron with good quality screw Connector.
- -40°C to 85°C extended operating temperature range.

SPECIFICATIONS

• No of Relay	:	2 / 4 / 8 / 16
• Power Rating	:	5A 250VA / 150W
• Contact Resistance	:	≤ 100mΩ (1A 6VDC)
• Contact Material	:	AgCdO AgSnO ₂
• Dielectric Strength	:	1500VAC
• Power Rating	:	7A 250VAC / 30VDC 10A 250VAC / 30VDC
• Max Switching Power	:	1750VA / 210W
• Mechanical Endurance	:	2 x 10 ⁷ OPS

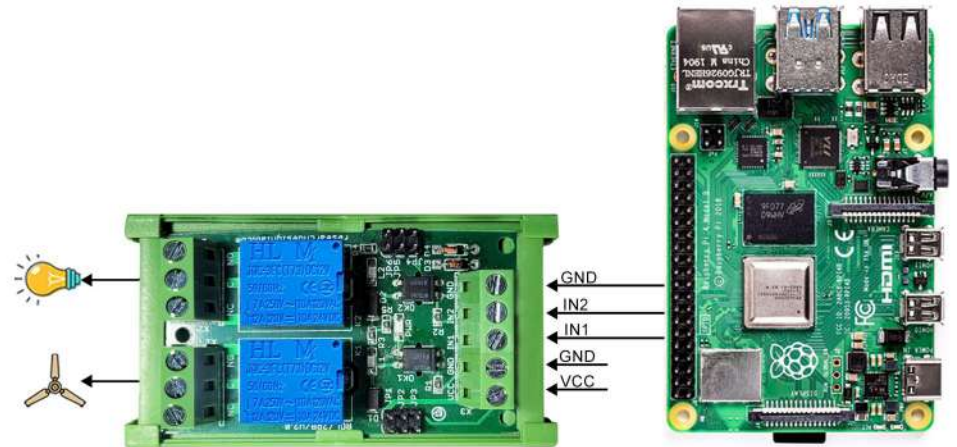
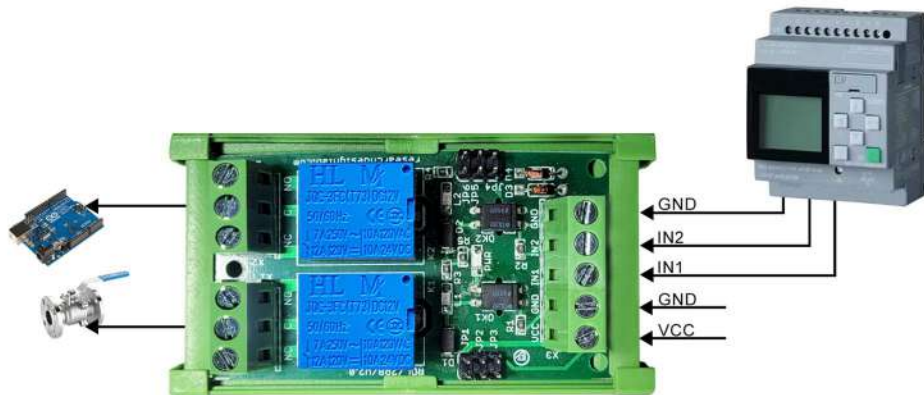
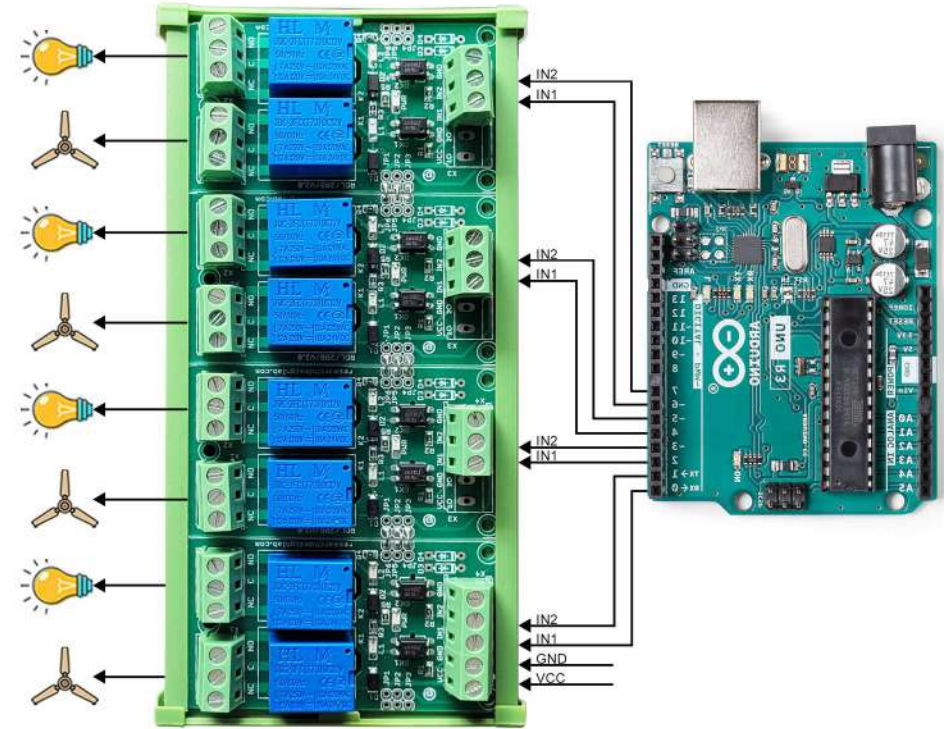
BLOCK DIAGRAM





APPLICATIONS

- Home Automation
- Process Automation
- Vending Machine
- Gaming Control System
- Robotics
- Alarms
- Timers
- Remote Monitoring and Controlling
- ATM Security System
- Aquariums Applications





OTHER RELATED PRODUCTS



**4 Channel Opto-Isolated Board Input
24V to 5V**
ORDER CODE: RDL/4OI/15/001/V1.0



USB 4 Channel Relay Board-DIN Rail
ORDER CODE: RDL861



8 Channel Relay Board - RS485
ORDER CODE: RDL/8RB-R/14/001/V1.0



8 Channel Ethernet Relay Board
ORDER CODE: RDL907



8 Channel Relay Board - Serial
ORDER CODE: RDL/8RB-S/14/001/V1.0



WiFi - 8 Channel Relay Board ESP32
ORDER CODE: RDL856



ORDER TABLE

Model No.	No. of Channel	Relay Voltage	Dimension (CM)	Weight
RDL913A	2	5V	4.6 X 9.2 X 5.2	75 G
RDL913B	4	5V	8.5 X 9.2 X 5.2	120 G
RDL913C	8	5V	17 X 9.2 X 5.2	225 G
RDL913D	16	5V	33.5 X 9.2 X 5.2	430 G
RDL913E	2	12V	4.6 X 9.2 X 5.2	75 G
RDL913F	4	12V	8.5 X 9.2 X 5.2	120 G
RDL913G	8	12V	17 X 9.2 X 5.2	225 G
RDL913H	16	12V	33.5 X 9.2 X 5.2	430 G
RDL913I	2	24V	4.6 X 9.2 X 5.2	75 G
RDL913J	4	24V	8.5 X 9.2 X 5.2	120 G
RDL913K	8	24V	17 X 9.2 X 5.2	225 G
RDL913L	16	24V	33.5 X 9.2 X 5.2	430 G



We Ship Worldwide

Our Shipping Partner



We Accept



Note:

1. Unless otherwise specified, all parameters in this datasheet were measured at 25°C and 75% humidity.
2. All index testing procedures in this datasheet are based on our company's corporate standards.
3. We offer product customization, OEM and ODM Services; please contact the sales team @ sales@rdltech.in.
4. We Ship Worldwide.
5. Specifications are subject to change without prior notice.
6. For additional information on Product and to buy online @ www.researchdesignlab.com

RDL Technologies Pvt. Ltd.

📍 5th Floor, Sahyadri Campus, Adyar, Mangaluru - 575007 | 📞 +91 8088423347 | 📞 +91 824 2988407

✉ sales@rdltech.in | 🌐 www.rdltech.in | 📺 www.youtube.com/@researchdesignlab956